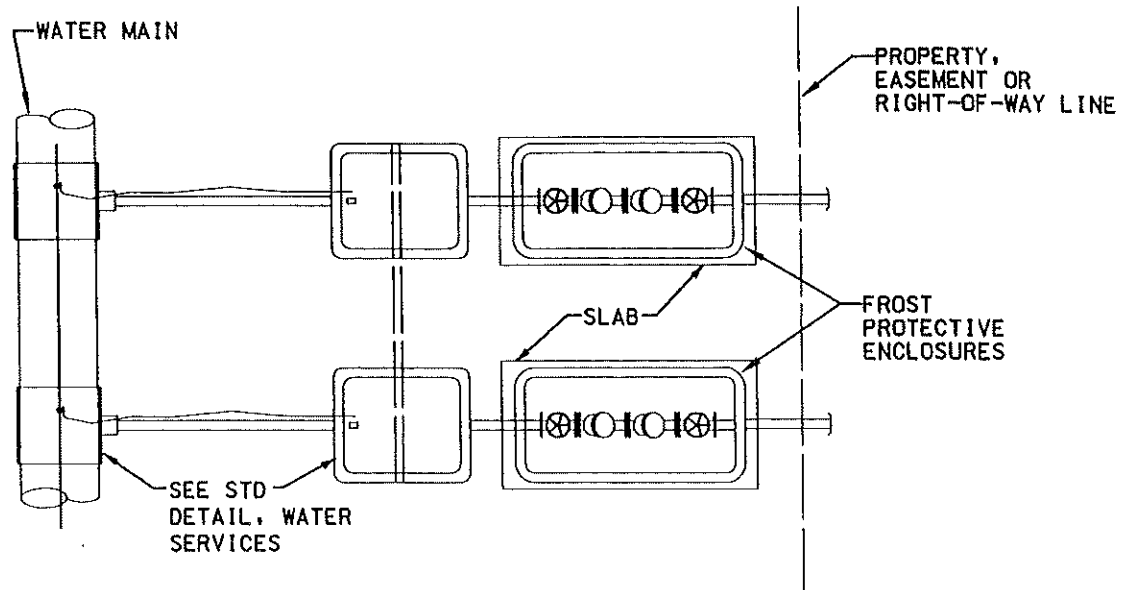


ELEVATION VIEW

TYPICAL BACK FLOW PREVENTER
FOR STANDARD 5/8"x3/4" WATER METER SERVICE

GEORGETOWN DIVIDE PUBLIC UTILITY DISTRICT	DRAWN BY:	NO SCALE	TYPICAL BACK FLOW PREVENTER	STANDARD DRAWING NO.
	APPROVED	UPDATED		



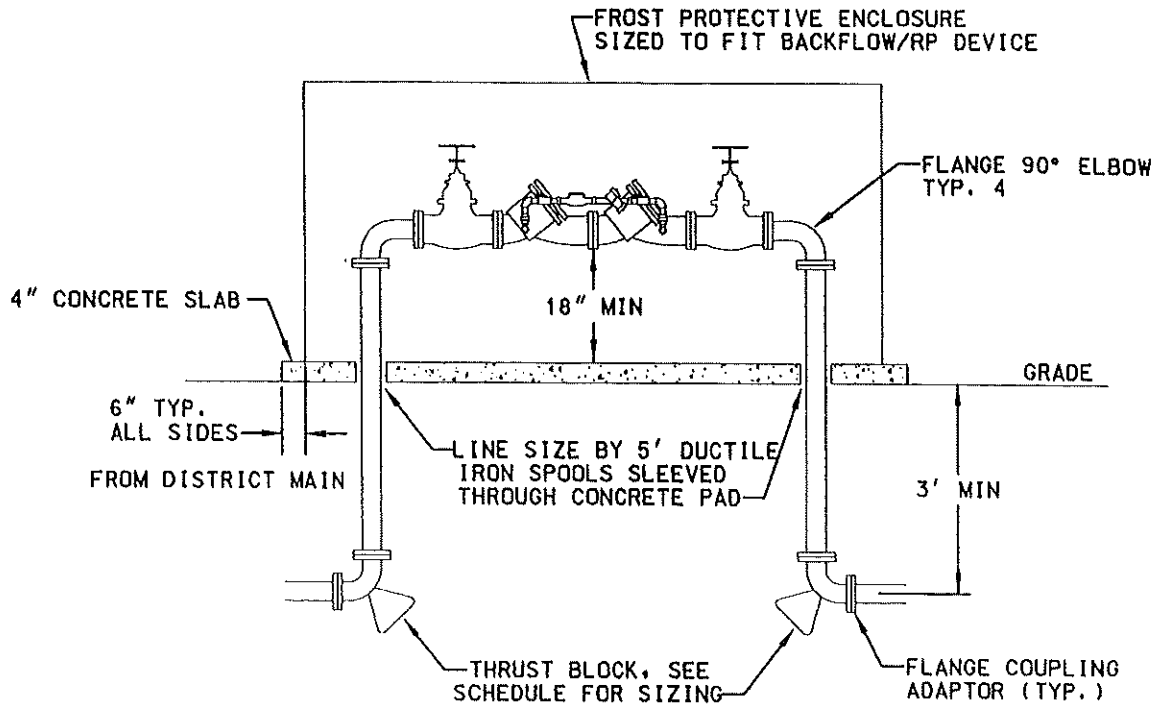
PLAN VIEW

NOTES:

1. TRAFFIC RATED BOX AND LID TO BE USED IN TRAFFIC AREAS.
2. METERS TO BE SET IN THE RIGHT-OF-WAY, EXTENDING INTO THE PROPERTY BEING SERVED.
3. END OF SERVICE TO EXTEND 2 FEET PAST THE SERVICE BOX. EXCEPTION: WHERE THE LINE SHALL BE 3 FEET BACK FROM THE HINGE POINT.
4. ALL SERVICE LINE TERMINATION POINTS SHALL BE MARKED WITH A 5 FOOT "T" POST, PAINTED BLUE.
5. WATER METERS ARE FURNISHED BY THE DISTRICT AT THE CUSTOMER'S COST.
6. SOLID STAINLESS STEEL INSERTS REQUIRED ON ALL P.E. TUBING FITTINGS.

TYPICAL BACK FLOW PREVENTER
FOR STANDARD 5/8"x3/4" WATER METER SERVICE

GEORGETOWN DIVIDE PUBLIC UTILITY DISTRICT	DRAWN BY:	NO SCALE	TYPICAL BACK FLOW PREVENTER	STANDARD DRAWING NO.
	APPROVED	UPDATED		



NOTES:

1. LEAK DETECTOR CHECK AND BACK FLOW PREVENTER OR RP DEVICE TO BE TESTED BEFORE ACCEPTANCE.
2. ADDITIONAL ACCESSORIES MAY BE ADDED AT OWNERS REQUEST WITH PRIOR APPROVAL OF THE DISTRICT.
3. ADDITIONAL ACCESSORIES MAY BE ADDED AT DISTRICT REQUEST.

FIRE LINE BACK FLOW/RP DEVICE

GEORGETOWN DIVIDE PUBLIC UTILITY DISTRICT	DRAWN BY:	NO SCALE	FIRE LINE BACK FLOW RP DEVICE	STANDARD DRAWING NO.
	APPROVED	UPDATED		